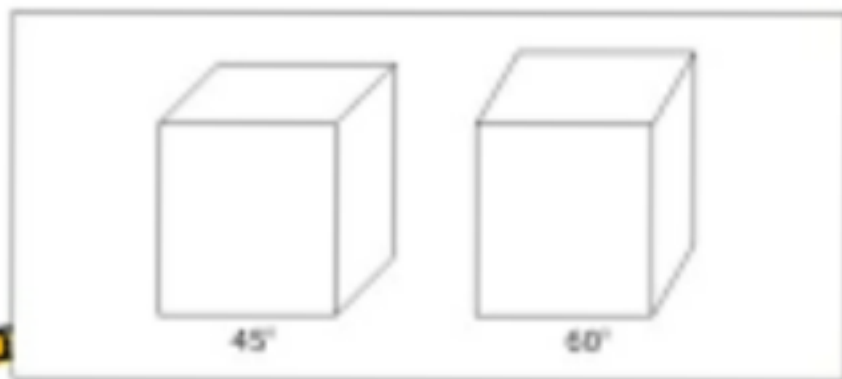


Oblique Drawings

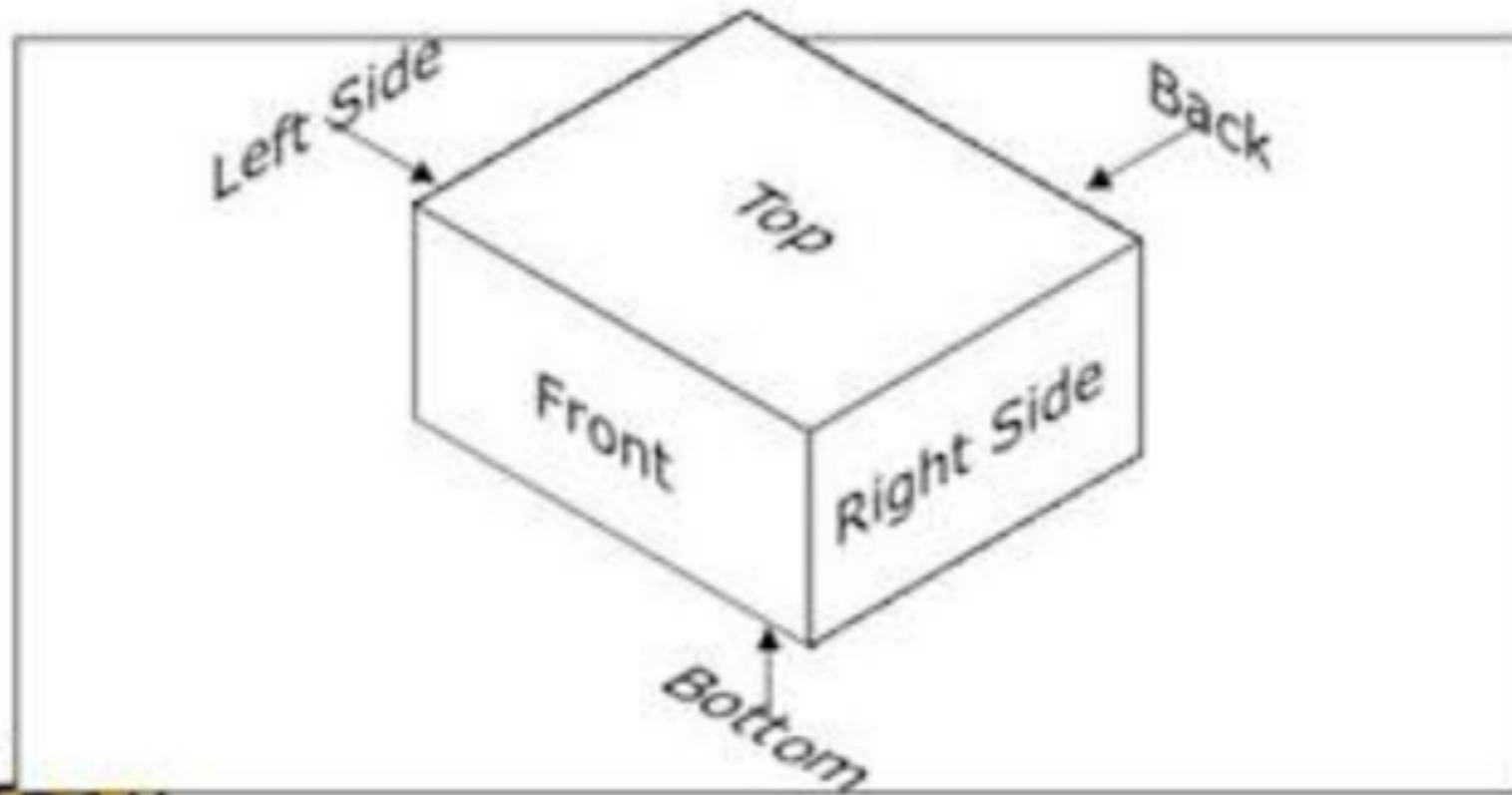


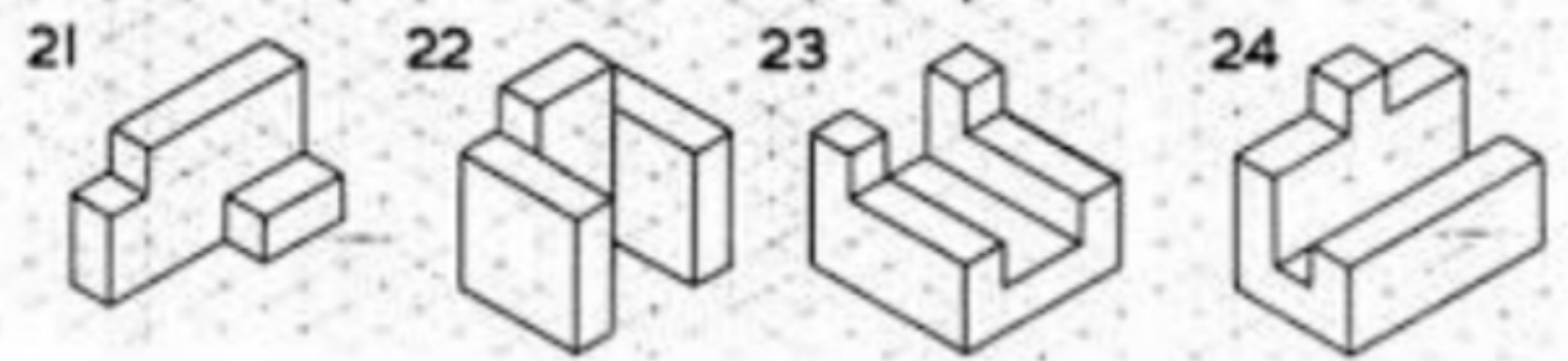
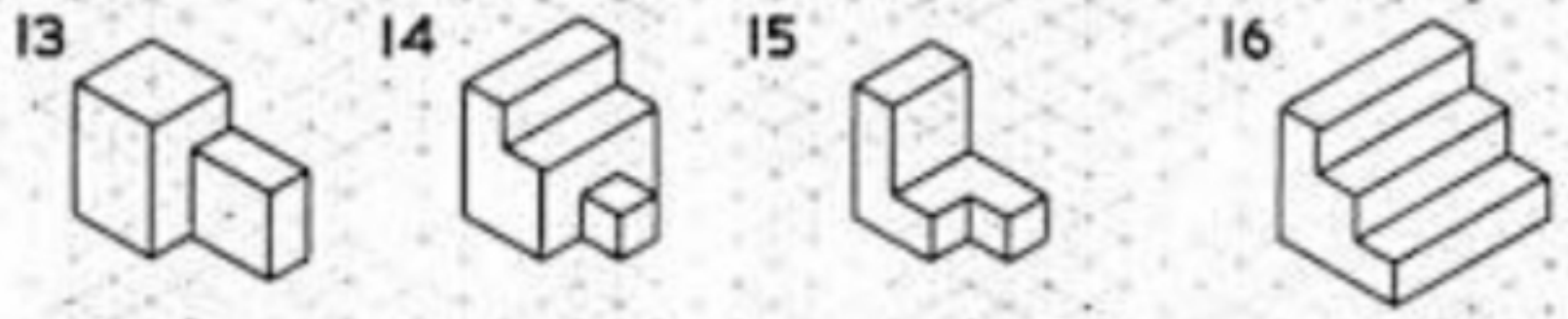
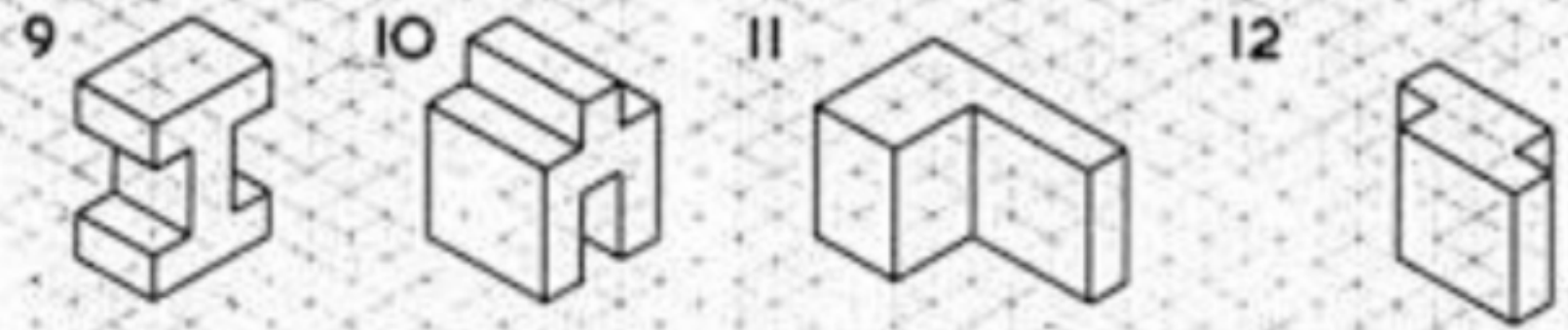
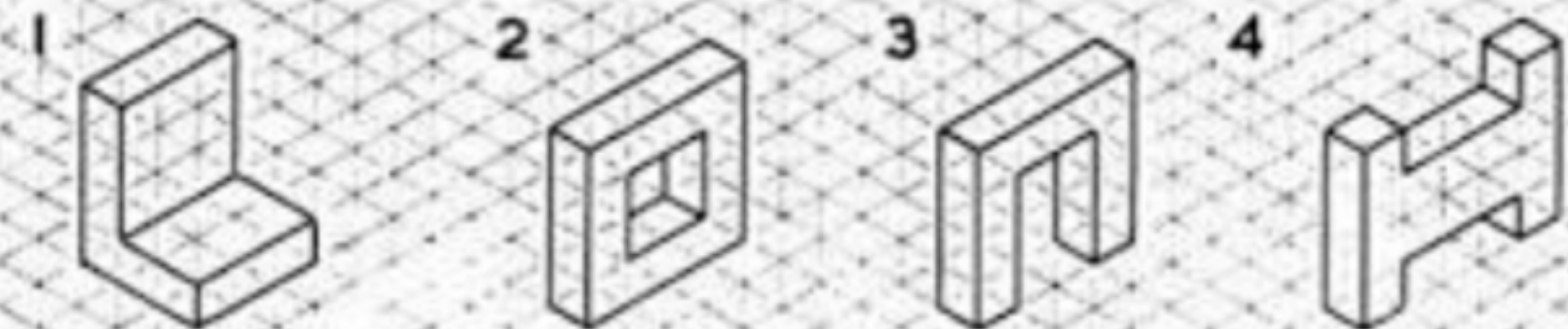
An oblique drawing is one where the front view of the object is in the same plane as the drawing surface and the sides and top are at an angle of either 30, or 45 degrees



Isometric

The faces of an object in an isometric drawing are labeled by their location.







The following steps will show you how to create an isometric sketch of the adjacent orthographic drawing.



Start by drawing a cuboid big enough to fit the entire shape.



Draw the **ELEVATION** on to the large face.



The **PLAN** view looks like two rectangles.

One is drawn on the top.

One is drawn on the lower part.



The **END ELEVATION** can now be drawn on the ends

